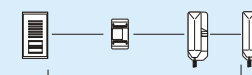
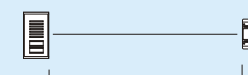


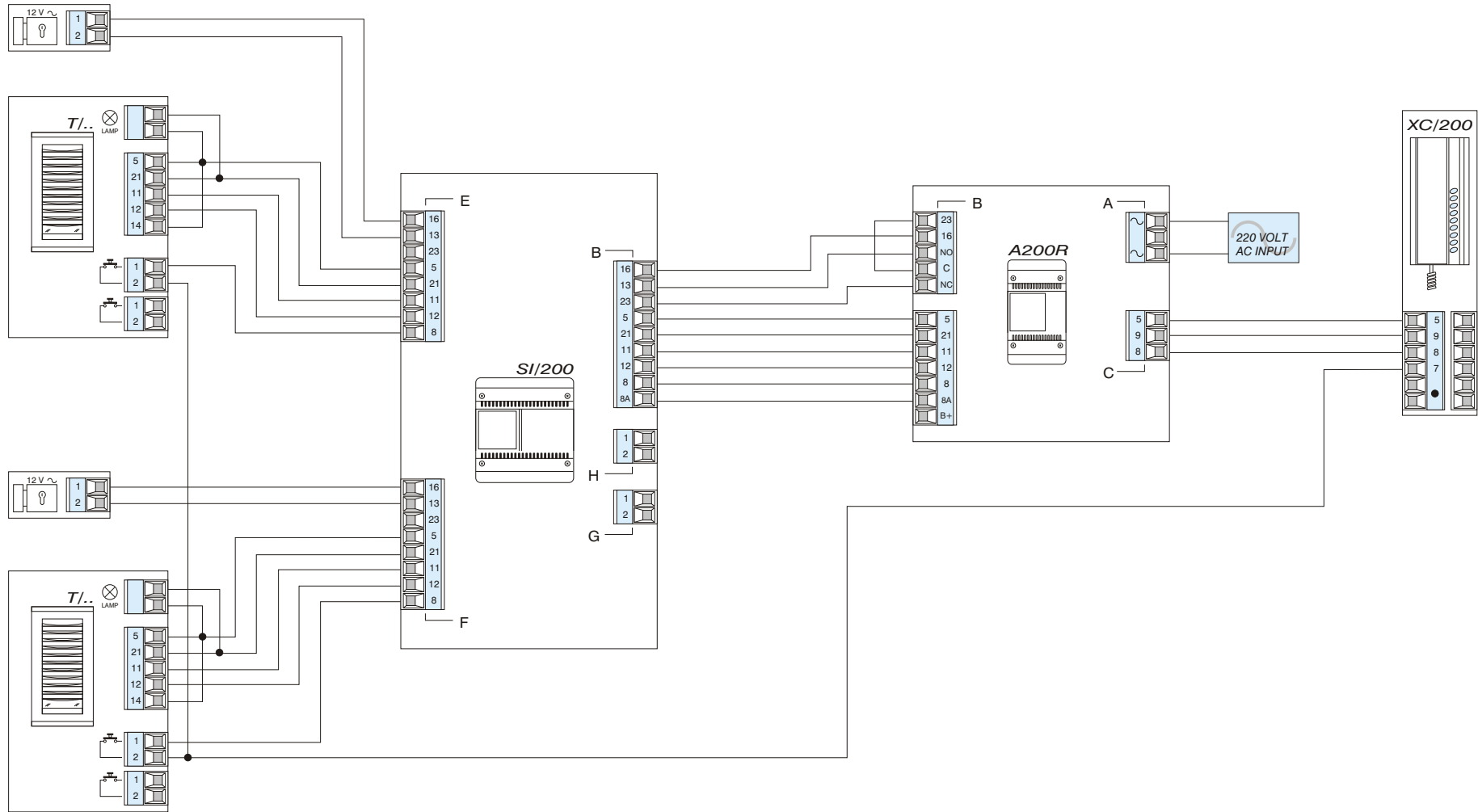
For any diagrams not shown
or special system designs
please contact our office on
(011) 616-3222 or
visit our web site
www.tribpt.co.za



meters	50	mm 2	0.22
	100		0.22
	200		0.50



meters	50	mm 2	0.22
	100		0.50
	200		0.50

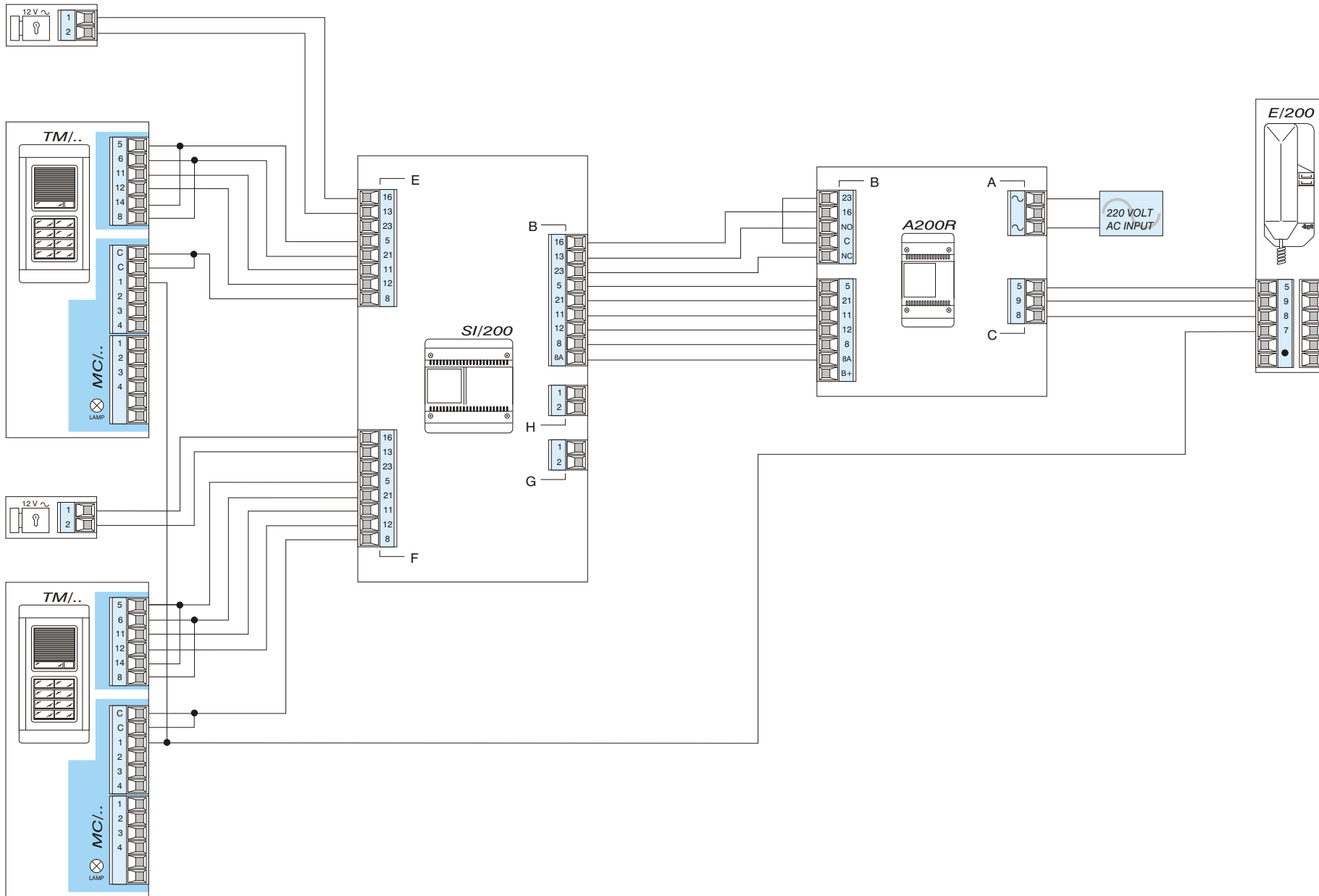


For any diagrams not shown
or special system designs
please contact our office on
(011) 616-3222 or
visit our web site
www.tribpt.co.za



	50	mm 2	0.22
meters	100	mm 2	0.22
	200	mm 2	0.50

	50	mm 2	0.22
meters	100	mm 2	0.50
	200	mm 2	0.50

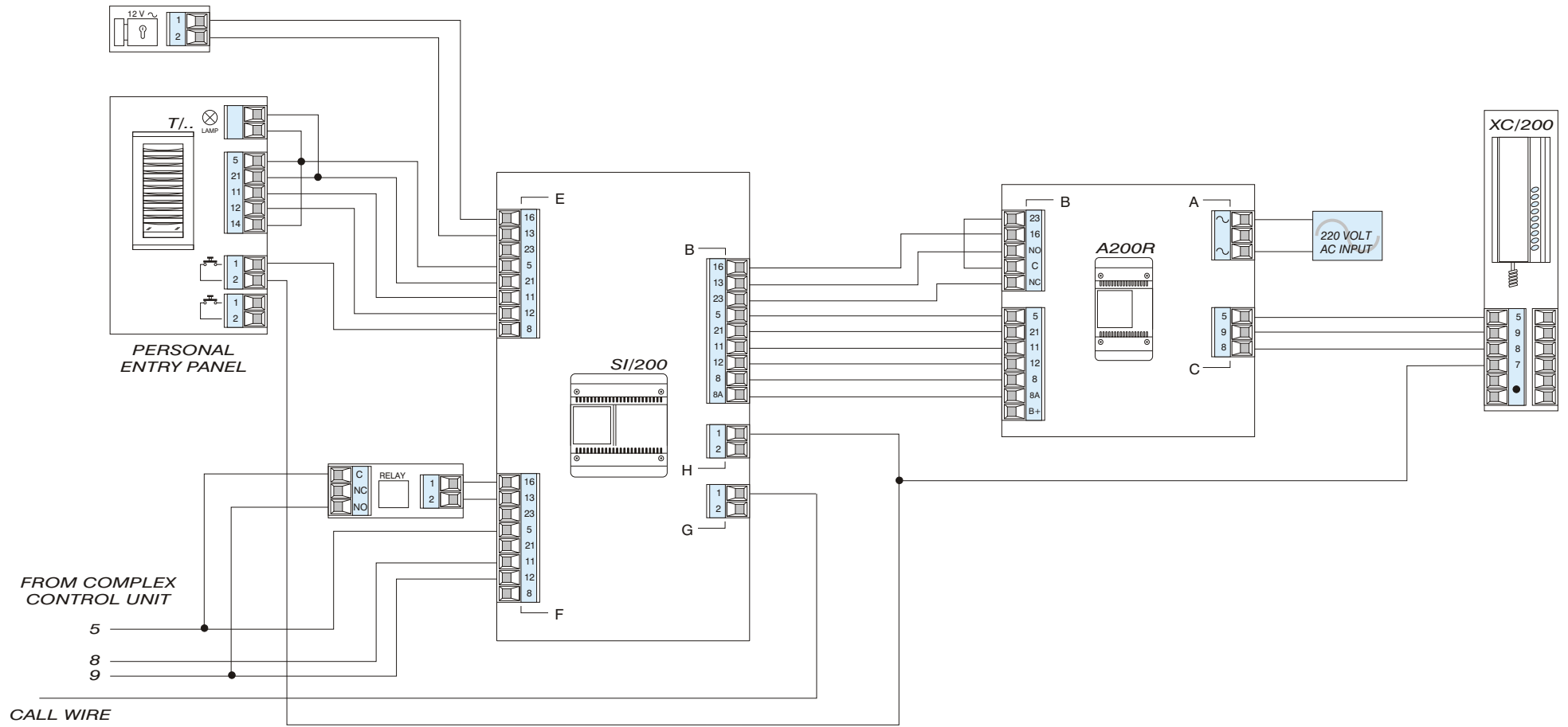


For any diagrams not shown
or special system designs
please contact our office on
(011) 616-3222 or
visit our web site
www.tribpt.co.za



	50	mm 2	0.22
meters	100	mm 2	0.22
	200	mm 2	0.50

	50	mm 2	0.22
meters	100	mm 2	0.50
	200	mm 2	0.50



For any diagrams not shown
or special system designs
please contact our office on
(011) 616-3222 or
visit our web site
www.tribpt.co.za



	50	mm 2	0.22
meters	100	mm 2	0.22
	200	mm 2	0.50

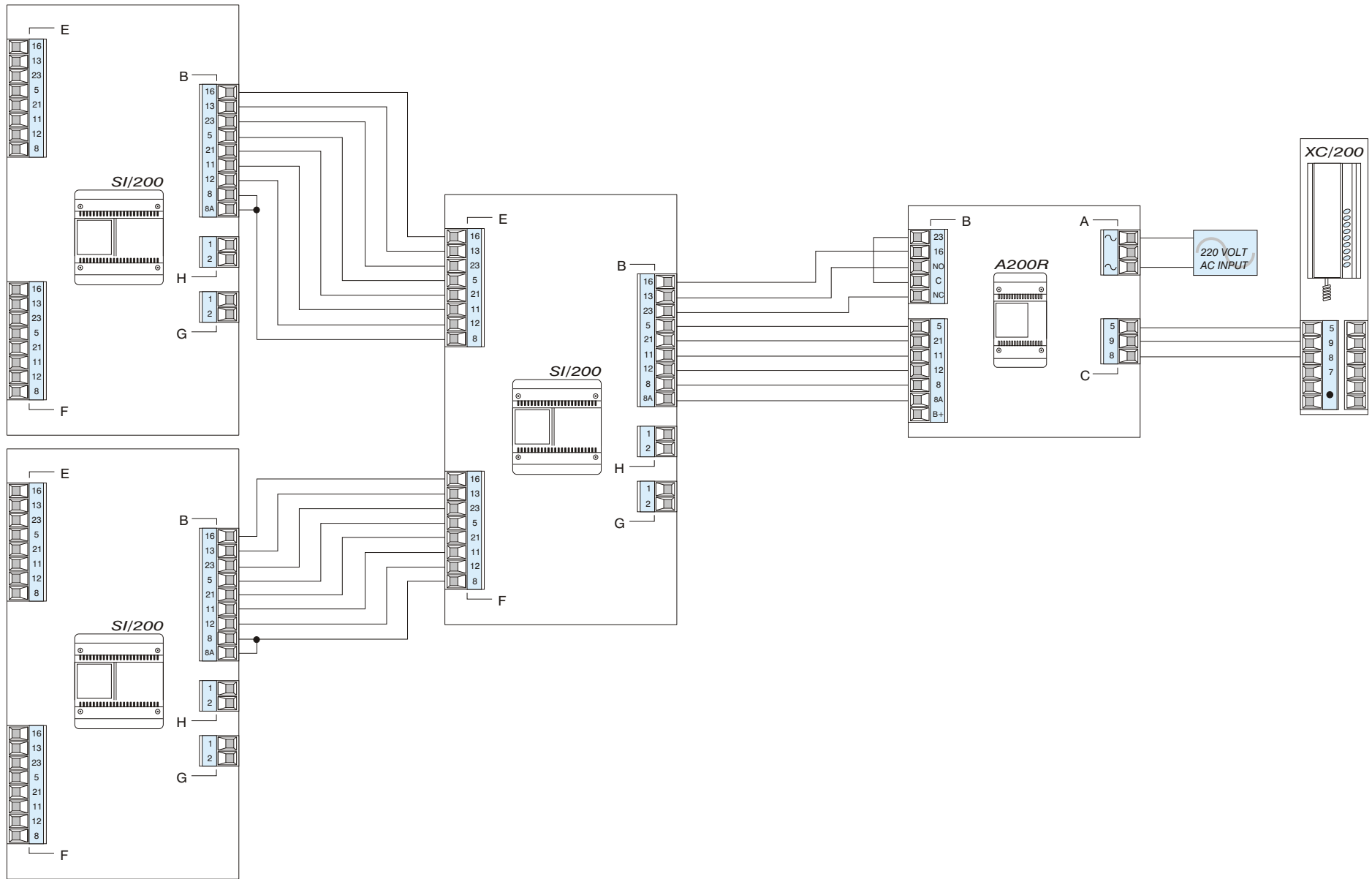
	50	mm 2	0.22
meters	100	mm 2	0.50
	200	mm 2	0.50

1

2

3

4

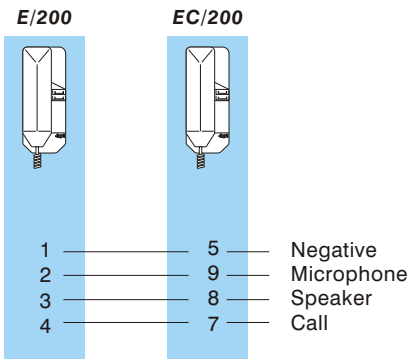
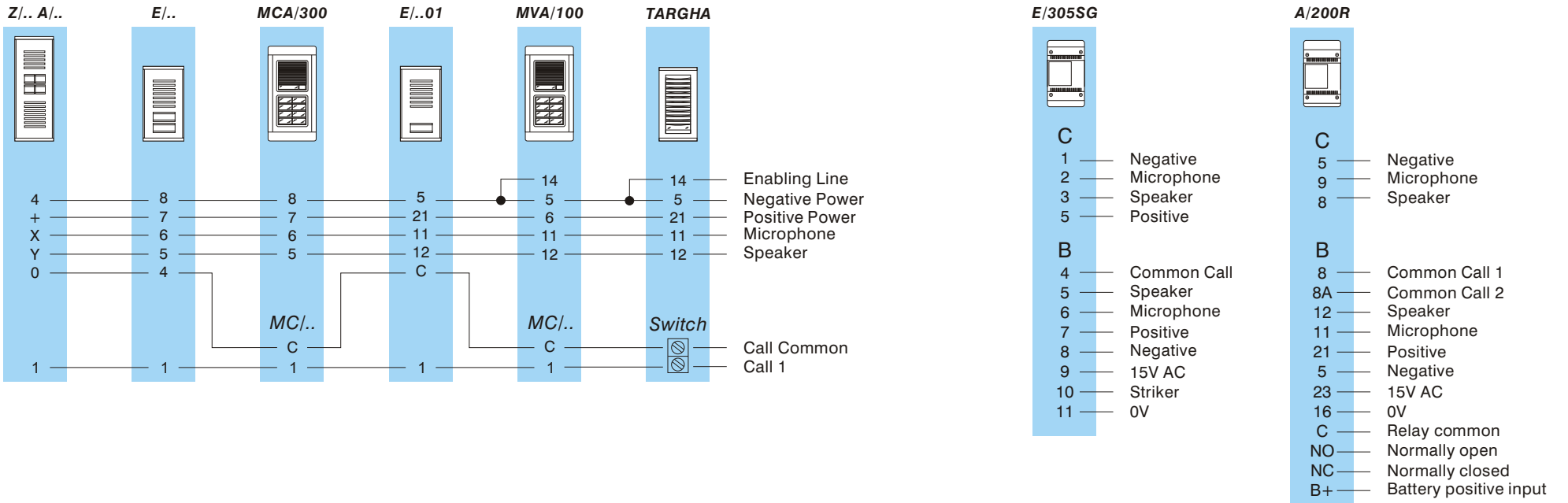


For any diagrams not shown
or special system designs
please contact our office on
(011) 616-3222 or
visit our web site
www.tribpt.co.za



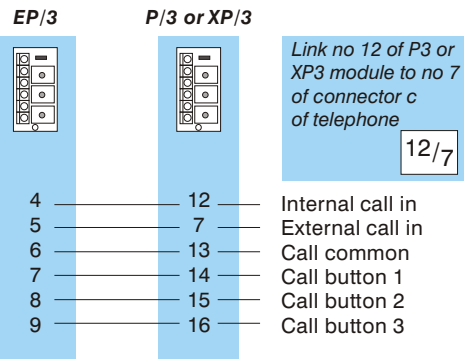
meters	50	mm 2 0.22
	100	0.22
	200	0.50

meters	50	mm 2 0.22
	100	0.50
	200	0.50



Link no 4 of Ep3 module to no 4 of connector c of telephone

4/4



For any diagrams not shown or special system designs please contact our office on (011) 616-3222 or visit our web site www.tribpt.co.za



meters	50	mm 2	0.22
	100		0.22
	200		0.50

meters	50	mm 2	0.22
	100		0.50
	200		0.50